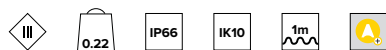
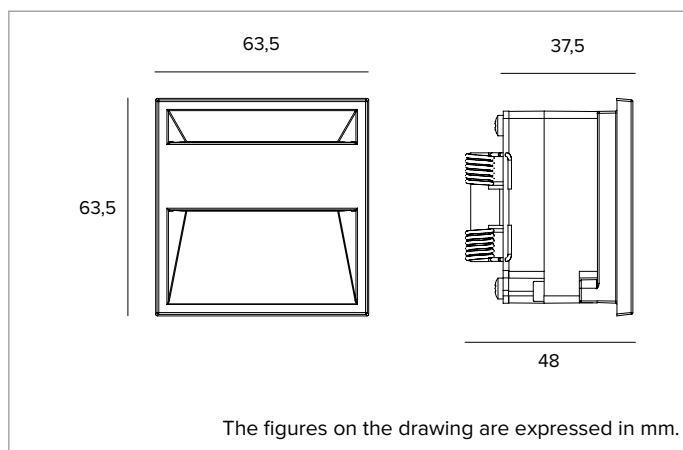


## 1E315890 | ZEDGE

### Recessed wall mounted LED fixture



	4000K	H(m)	D1(m)	D2(m)	E <sub>max</sub> (lx)		
	Ra90	48°	79°				
Fixture Power	4W	1	1.69	1.89	69		
Source Flux	573lm	2	3.37	3.77	17		
Fixture Flux	104lm	3	5.06	5.66	8		
Efficacy	27lm/W	4	6.75	7.54	4		
TS1883	I <sub>max</sub> =164cd/klm	I <sub>max</sub>	94cd	5	8.43	9.43	3



#### SOURCE

Low power LED High Efficiency Board Ra90.

**Energy efficiency class:** C

**Nominal power:** 3,9W

**Nominal flux:** 573lm

**Colour rendering index:** 90

**Rf:** 82.6

**Rg:** 95.7

**CCT nominal:** 4000K

**SDCM:** 2

**Lifetime (L80/B10):** >50000h tq +25°C

#### ILLUMINOTECHNICAL CHARACTERISTICS

A high reflectance anodised aluminium reflector. Polycarbonate opal screen.

**Optical efficiency:** 18%

**Fixture flux:** 104lm

**Luminous efficacy:** 27lm/W

**Photobiological safety:** Compliant with RG1 low risk group

#### MECHANICAL CHARACTERISTICS

Die-cast anodised aluminium body fitted with a spring fixing system. Powder coated die-cast anodised aluminium external frame. Pre-cabled with a H05RN-F (2x0.75mm<sup>2</sup>) 1m cable.

**Colour and finish:** Plaster white

**Weight:** 0.22Kg

**Version:** FLOOR WASHER + HALO

**Degree of protection:** IP66

**Mechanical Resistance:** IK10

#### ELECTRICAL CHARACTERISTICS

Powered by a 230V/24Vdc electronic transformer to be ordered separately. Dimmable with a special accessory kit.

**Fixture Power:** 4W

**Power supply:** 24Vdc

**Insulation Class:** CLASS 3

**Driver included:** NO

**Class F:** YES

**Ambient temperature:** -25°C / +35°C

#### INSTALLATION

To be completed with a special stainless steel outer casing fitted for parallel connection.

#### NOTES

Designed in collaboration with Gensler. Casambi control system available using a dedicated accessory (only with DALI dimmer). Uses the "Waterblock Smart" technical solution that involves resin coating the connection cables, limiting the risk of humidity reaching the driver or the fixture. It is possible to subject the product to Cataphoresis treatment on request. 110-277Vac version available on request. Commissioning of the control system via free APP; the intervention of a specialist technician can be quoted on request.

#### WARRANTY

5 years.

#### WARNING

Luminaire designed for disposal/recycling at end-of-life. Replaceable (LED only) light source by a professional.

*Due to the technological evolution of the electronic components, the data provided may be updated, and as such, confirmation must be requested during the order process.*

*Luminous flux and power supply have +/-10% tolerances with respect to the indicated value. tq +25°C (CIE 121).*

*We reserve the right to make technical changes.*

Targetti Sankey S.r.l.  
Via Pratese, 164  
50145 Firenze - Italy  
Tel: +39 055 37911  
targetti.com  
targetti@targetti.com

CCIAA Firenze  
Share Capital:  
€ 500.000,00  
VAT N. (IT):  
01537660480  
R.E.A: FI-275656

**TARGETTI**

# 1E315890 | ZEDGE

## Recessed wall mounted LED fixture

### Related codes

#### Power Supply



Dimensions LxHxP mm	Power	Power supply	Output voltage	IP	Code
79x25x38	14,4W	220-240Vac	24Vdc	IP67	<b>1E4359</b>
185x22x64	50W	220-240Vac	24Vdc	IP20	<b>1T3726</b>
140x32x63	75W	220-240Vac	24Vdc	IP67	<b>1T3586</b>
230x87x43	100W	220-240Vac	24Vdc	IP67	<b>1T3587</b>
238x42x67	200W	220-240Vac	24Vdc	IP67	<b>1T3588</b>

Electronic ON-OFF power supply.

Dimensions LxHxP mm	Power	Power supply	Output voltage	IP	Code
122x26x54	17W	220-240Vac	24Vdc	IP68	<b>1E4397EL</b>

Electronic ON-OFF power supply.

### Accessories

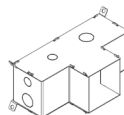
#### Insertion Box



Code

**1E3166**

Outer casing in plastic material fitted for parallel connection with feed through-wiring. For the fixture.  
Cutout hole AxBxP=87x59x72.5mm.



Code

**1E3180**

Stainless steel outer casing fitted for parallel connection with feed through-wiring. For fixture + driver (1E4359).  
Cutout hole AxBxP=166x72x87mm.

#### Control systems

Code

**1T6581**

Dimmer for 12-24Vdc constant voltage LED driver.  
1-10V/DALI control input.  
IP20

#### Terminal Box



Code

**1E3181**

Terminal box with gel.

Due to the technological evolution of the electronic components, the data provided may be updated, and as such, confirmation must be requested during the order process.  
Luminous flux and power supply have +/-10% tolerances with respect to the indicated value. tq +25°C (CIE 121).

We reserve the right to make technical changes.

Targetti Sankey S.r.l.  
Via Pratese, 164  
50145 Firenze - Italy  
Tel: +39 055 37911  
targetti.com  
targetti@targetti.com

CCIAA Firenze  
Share Capital:  
€ 500.000,00  
VAT N. (IT):  
01537660480  
R.E.A: FI-275656

**TARGETTI**

## 1E315890 | ZEDGE

### Recessed wall mounted LED fixture

#### Control systems



Code

**1E3048**

IP67 wireless control unit with DALI interface.

It generates a local DALI2 bus, enabling a direct connection to a DALI interface LED driver.

The module can only be used in a closed system and cannot be connected to an existing DALI network.

The module is wireless controlled using a Casambi app for smartphones and tablets using Bluetooth 5.0 technology.

The devices automatically create an adaptive, robust, and reliable wireless mesh network, allowing for the easy and efficient management of a high number of fixtures.

The control unit is preset to the DALI 1CH profile, meaning the device can control a single DALI driver with broadcast commands.

In addition to the DALI broadcast, other operating modes are available, such as:

- Button (normally open)
- Control unit 0/1-10V
- Control unit DALI Tunable White DT8
- Presence sensor



Code

**1E4369**

IP67 Extender for wireless control of LED driver with dimming DALI interface based on Casambi technology.

It has a DALI2 output with the capacity to control up to 40 lighting fixtures.

With the addition of a further external BUS DALI power supply it is possible to control up to 64 fixtures.

IP67 Extender is preset to the DALI broadcast profile, meaning all the luminaires connected to it are dimmable at the same level.

In addition to the DALI broadcast other operating modes are available, such as:

- EXTENDER DALI 8CH
- EXTENDER DALI Tunable White
- EXTENDER DALI 4CH
- EXTENDER DALI DT8 Tunable White

*Due to the technological evolution of the electronic components, the data provided may be updated, and as such, confirmation must be requested during the order process.*

*Luminous flux and power supply have +/-10% tolerances with respect to the indicated value. tq +25°C (CIE 121).*

*We reserve the right to make technical changes.*

Targetti Sankey S.r.l.  
Via Pratese, 164  
50145 Firenze - Italy  
Tel: +39 055 37911  
targetti.com  
targetti@targetti.com

CCIAA Firenze  
Share Capital:  
€ 500.000,00  
VAT N. (IT):  
01537660480  
R.E.A: FI-275656

# TARGETTI